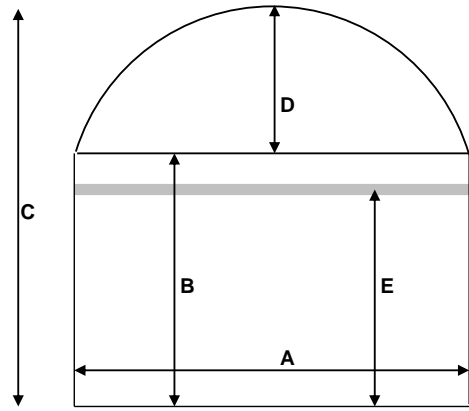
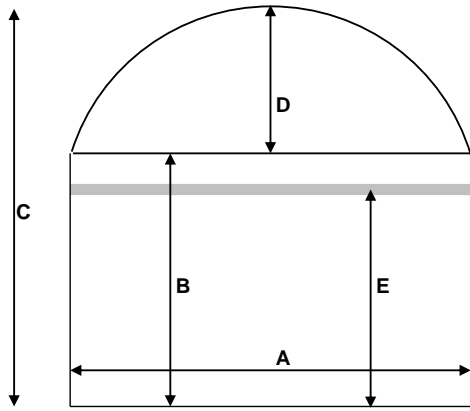


# ARCH TOP MEASURE

DATE: \_\_\_\_\_ CUSTOMER: \_\_\_\_\_ S/M: \_\_\_\_\_



Room	
IM Width (A)	
IM Length (B)	
Overall height (C)	
Arch height (D)	
Mullion (E)	
FF Width	
FF Length	
Depth	
Wall space left	
Wall space right	
Wall space above	
Wall space below	
Existing Treatment	

Room	
IM Width (A)	
IM Length (B)	
Overall height (C)	
Arch height (D)	
Mullion (E)	
FF Width	
FF Length	
Depth	
Wall space left	
Wall space right	
Wall space above	
Wall space below	
Existing Treatment	

Shutter Information	
IB/OB	
Frame type	
Frame sides	
Color	
Louver size	
Configuration	
Tilt type	
Divider rail 1	
Divider rail 2	
Divider rail 3	
T-Post 1	
T-Post 2	
T-Post 3	

Shutter Information	
IB/OB	
Frame type	
Frame sides	
Color	
Louver size	
Configuration	
Tilt type	
Divider rail 1	
Divider rail 2	
Divider rail 3	
T-Post 1	
T-Post 2	
T-Post 3	